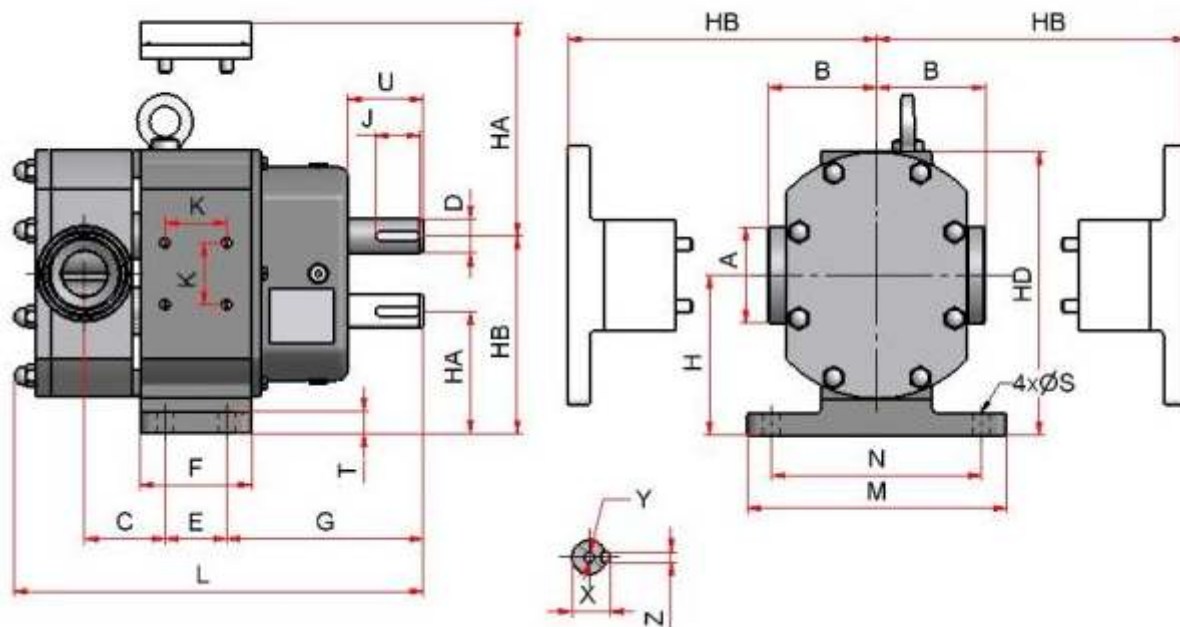


# ROTDIMENSIONS



Dimensions in mm

Pump size	A*	B	C	D	E	F	G	H	HA	HB	HD	J	K	L	M	N	S	T	U	X	Y	Z	
A0	40	95	46											299									
A1	40	95	46											303									
A2	50	96	65											330									
A3	65	98	78											357									
A4	65	98	92	∅28h6	50	90	158	130	99	160	230	36	50	384	210	170	14	18	60	31	M8	8P9	
A5	80	99	105											411									
A6	80	99	119											438									
A7	100	103	132											465									
A8	100	103	146											492									

\*Connections are delivered and on request.  
 Dimensions are given as a guidance.  
 Certified drawings for installation purposes will be given on request.

# SLOMAN

Rotary Pumps, Ltd.

Aleja maršala Tita 23

24000 Subotica, Serbia

Tel: ++381-(0)24-530-603

Fax: ++381-(0)24-694-411

E-mail: [sloman@sloman-pumps.com](mailto:sloman@sloman-pumps.com)

Web site: [www.sloman-pumps.com](http://www.sloman-pumps.com)

Because of SLOMAN's constant program of improvement, specifications are subject to change without notice.